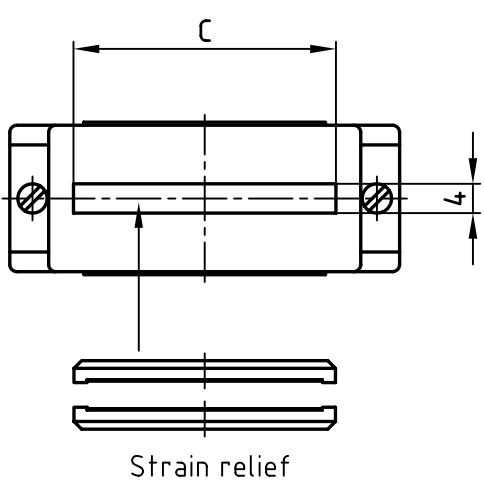
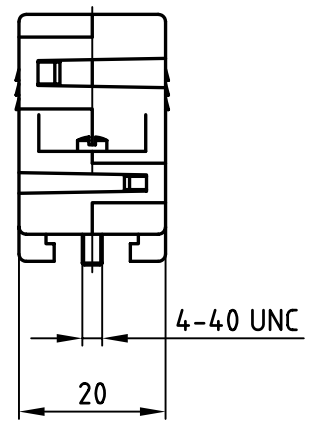
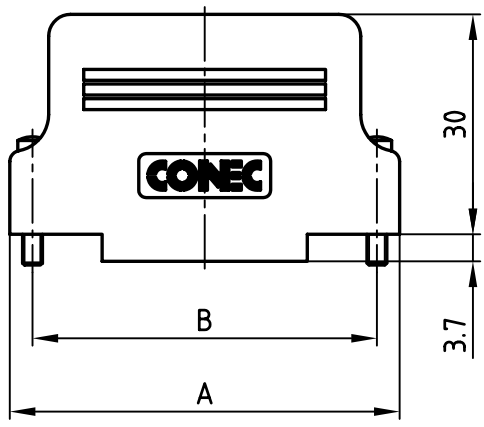


used for: D-SUB



No. of pos.	A	B	C	Part NO.
25	53.2	47.0	35.8	165X14029XE
37	69.7	63.5	50.5	165X14039XE

APPROVAL # FREIGABE # DEBLOCAGE # AUTORIZACION # APPROVAL

CUSTOMER APPROVAL DATE:

NAME: TITLE:

COMPANY NAME:

APPROVAL # FREIGABE # DEBLOCAGE # AUTORIZACION # APPROVAL



- NOTES:**
1. HOOD: ABS V0; GREY
  2. STRAIN RELIEF: ABS V0; GREY
  3. SCREWS: BRASS; NICKEL PLATED

THIS DRAWING MAY NOT BE COPIED OR REPRODUCED IN ANY WAY, AND MAY NOT BE PASSED ON TO A THIRD PARTY WITHOUT WRITTEN PERMISSION.  
 OWNERSHIP AND COPYRIGHT OF CONEC GmbH  
 DO NOT ALTER CAD DRAWING BY HAND

rev.	description	date	name
a	Origin		

tolerance

dim. in mm

2006	date	name
drawn	09.02.	Lehmenkühler
appd.	09.02.	Mickenbecker
norm		
d-old		

**CONEC**®

scale:	1:1
material:	SEE NOTES
title:	<b>PLASTIC HOOD</b> 25pos. + 37pos. FOR FLAT CABLE IDC D-Subminiature
dwg no:	AutoCAD 2004
	DIN-A
	4
	sh: 1/1
part no:	SEE TABLE